

**TOLEDO CITY WATER DISTRICT**

1st Fl., Terminal Bldg., Baybay I, Toledo City  
 Tel. Nos.(032)4678544, 4678533 Fax:(032)4679449

Date : **October 10, 2016**

**REQUEST FOR QUOTATION**

NAME, ADDRESS & TEL/FAX NO. OF SUPPLIER

PLEASE QUOTE YOUR LOWEST PRICE, NET OF ANY POSSIBLE DISCOUNT:

WITH PRODUCT BROCHURE

DEADLINE FOR SUBMISSION(DATE/TIME)

October 18, 2016 5:00 PM

CANVASS OPENING DATE/TIME

October 11, 2016 8:00 AM

DELIVERY REQUIREMENT WITHIN 7

CALENDAR DAYS FROM RECEIPT OF APPROVED NOTICE TO PROCEED

REF. P.R. NO.: **2016-10-193**

APPROVED BUDGET: P **362,500.00**

PURPOSE : FOR INSTALLATION OF WATER METERS TO NEW CONCESSIONAIRES AND FOR CHANGE METER.

QUOTED BY:

PRINT AND SIGN NAME/POSITION

ITEM NO	DESCRIPTION	QUANTITY	UNIT	UNIT PRICE	TOTAL AMOUNT
	1/2" ½ WATER METER (MULTI-JET) brass body inline form polymer counter minimum body height H=98mm minimum body Length L=165mm Minimum body Width B=95mm Comply w/ ISO 4064:2005 MIDNSF for 1/2" ½ Residential Meters inlet/outlet for 1/2" ½ pipe min/max working pressure :10/16 bar w/ serial no. engraved inserts/spare parts are available wide selection of dial configurations (3 pointers; central pointer) and unit measurements maximum working temperature 50C w/ tail pieces nuts and gaskets meter register regular max reading 10 minimum register : 0.05 liter PLS SEE ATTACHED COMPLETE SPECS OF WATER	250	250.00	0	

TERMS AND CONDITIONS:

- 1) AS A GOVERNMENT AGENCY, TCWD SHALL DEAL ONLY WITH LEGITIMATE SUPPLIERS/ CONTRACTOR WHICH ISSUE BIR REGISTERED O.R.s;
- 2) QUOTED PRICES MUST BE INCLUSIVE OF 5% TAX FOR MATERIALS & SUPPLIES 6% FOR LABOR AND 1% EXPANDED WITHHOLDING TAX;
- 3) ALL QUOTATIONS SHALL BE FIRM AND VALID FOR A PERIOD OF AT LEAST THIRTY (30) DAYS FROM THE DATE OF RECEIPT OF QUOTATION & SHALL BE BINDING UPON THE SUPPLIER WITHIN THE PERIOD;
- 4) TCWD RESERVES THE RIGHT TO POST-QUALIFY ANY SUPPLIER AND/OR TO REJECT ANY OR SUBMITTED QUOTATIONS;
- 5) P.O./CONTRACT SHALL BE AWARDED TO THE LOWEST EVALUATED RESPONSIVE BID, DELIVERED ITEMS ARE SUBJECT TO INSPECTION. WITH PAYMENT PROCESSING TO COMMENCE ONLY AFTER ACCEPTANCE BY THE PROPERTY CONTROL DIVISION; AND
- 6) TERMS OF PAYMENT WITHIN 30 DAYS FROM DATE OF ACCEPTANCE.

REQUESTED BY:

**JENN GLAIZA C. CASIA**

Indus. Rel. Mgmt. Officer B.

RECOMMENDING APPROVAL:

**ARLENE V. MERCADER**

Division Manager, Administrative

APPROVED BY:

**FRANCISCO R. ABELLANA**

General Manager



## TOLEDO CITY WATER DISTRICT

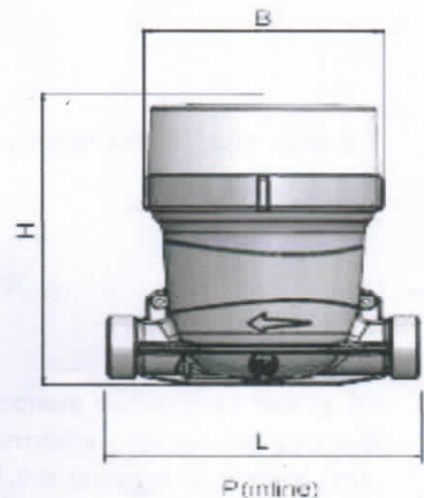
2<sup>nd</sup> Flr. Terminal Bldg. Baybay I  
Poblacion, Toledo City, Cebu  
Tel Nos. 0(32) 467 8544 / 467 8366 / Fax. 467 9449  
Field Office: Telefax: 467-8526

### BIDS and AWARDS COMMITTEE (BAC) TECHNICAL WORKING GROUP

### COMPLETE SPECIFICATIONS

#### For 1/2"Ø Water Meter (Multi-jet)

- Brass Body, inline form ✓
- Polymer Counter ✓
- Minimum Body Height, H = 98mm ✓
- Minimum Body Length, L = 165mm ✓
- Minimum Body Width, B = 95mm ✓
- Comply w/ ISO 4064:2005, MID, NSF for 1/2"Ø Residential Water Meters
- Inlet/ Outlet for 1/2"Ø Pipe
- Min/Max Working Pressure: 10/16 bar ✓
- With Serial Number Engraved ✓
- Inserts/ Spare parts are available ✓
- Wide selection of dial configurations (3 pointers; Central pointer) and unit measurements
- Maximum Working Temperature, 50°C
- With tailpieces, nuts and gaskets
- Meter Register: Regular, Max Reading: 10<sup>5</sup>
- Minimum Register: 0.05 liter



#### Other Technical Specifications:

- I. The water meter shall measure potable water in close conduit pipes.
- II. Only water meters which have been tested by TCWD for at least one (1) year and found satisfactory, shall be considered during evaluation. The meters to be supplied must be exactly the same as the samples tested, evaluated and found satisfactory by TCWD. Any deviation from the samples tested shall be a warrant for disqualification.
- III. Maximum rate capacity: Not less than 3.125m<sup>3</sup>/hr
- IV. Meter Register Special Features and Provisions
  - a. Access to the register's number drums must be relatively easy so that the meter register's number drums can be checked for possible looseness causing irregular readings. If the register is completely sealed that there is no access to the number

*for installation of water meters to new concessionaires and for change meter*

drums, the manufacturer shall guarantee immediate replacement of the register is the register's reading is doubtful and is opened for checking.

- b. Re-sealing of the meter against tampering shall be made possible using #22 magnetic wires.
- c. Maximum Register's Capacity: 10<sup>5</sup>
- d. Minimum Register's Capacity: 0.02-0.05

V. Metrological Classification (Based on ISO 4064:2005) – Minimum Requirements.

Defined Flowrates	Allow. Error (%)
<b>Q<sub>4</sub></b> (Overload Flowrate) = 1.25 x Q <sub>3</sub>	± 2%
<b>Q<sub>3</sub></b> (Permanent Flowrate) = At least 1.5 m <sup>3</sup> /h	± 2%
<b>Q<sub>2</sub></b> (Transitional Flowrate) = 1.6 x Q <sub>1</sub>	± 5%
<b>Q<sub>1</sub></b> (Minimum Flowrate) = .03 m <sup>3</sup> /h (30l/h)	± 5%
<b>Q<sub>3</sub>/Q<sub>1</sub> ratio</b> = 50 minimum	

VI. Working Pressure : Not less than 145 psi

VII. Working Temperature : Not less than 50°C

VIII. Markings on Meter:

- a. Meter make and Brand.
- b. Meter Serial Number
- c. Flow Direction. Permanent inscribed or embossed on meter's main body casing.
- d. Meter's Nominal Size.
- e. MID (Measuring Instruments Directive) Markings.

IX. Meter Accessories:

- a. Tail Pieces (two for each meter) inlet/ outlet to ½"Ø Pipe.
- b. Meter gaskets (two for each meter).

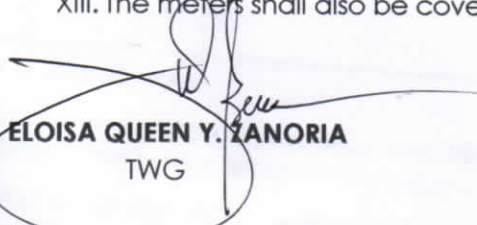
X. Technical Brochure:

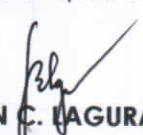
The supplier/ manufacturer shall provide a **Technical Brochure** during the bidding. This brochure shall include complete with technical information about the product. Shows complete **Material Data Sheets** and features of the product as well as other relevant information necessary for the bid evaluation. It shall also include a blow-up drawing of the meter's parts with labels for easy identification.

XI. Manufacturer shall provide TCWD during the bidding a written guarantee duly annotated and signed that spare parts for the meters shall be made available at a reasonable price for the period of at least five (5) years from date of purchase.

XII. TCWD shall inspect/ test any or all of the meters for compliance to this specification. The manufacturer/supplier shall replace any meter found to be defective or found non-conformity to this specification free of charge.

XIII. The meters shall also be covered by one (1) year warranty from date of acceptance.

  
**ELOISA QUEEN Y. TANORIA**  
TWG

  
**BELEN C. LAGURA**  
TWG